



KARIN VX TANDEM VERTICAL



**EUROPEAN
WARRANTY**

MATERIAL:

- Horizontal collectors in painted mild steel \varnothing 1,2 inch.
- Double row of rectangular vertical heating elements in painted mild steel 0,6x0,8 inch.

FIXING KIT:

Brackets, airvent, hexagonal tool, plugs and screws for mounting suitable for use on compact or hollow brick, user notice.

PACKAGING:

Carton angular and profiles protected by a recyclable film in polyethylene. User notice included.

PAINTING PROCESS:

Painted with ecological epoxy powders (Certificate DIN 55900-1;-2).

COLOURS:

See colour chart.

ACCESSORIES:

For the complete list, please refer to the accessories chapter.

Height H [in]	19,7	20,9	23,6	24,8	31,5	32,7	36,6	39,4	47,2
Therm. output per el. $\Delta T = 50^\circ C$ [Btu]	111,6	118,7	130,7	137,9	167,2	172,7	191,4	201,7	234,4
Therm. output per el. $\Delta T = 30^\circ C$ [Btu]	57,3	60,4	67,2	69,9	85,3	88,0	96,9	102,7	119,1
Dry Weight per section [lbs]	1,34	1,42	1,60	1,67	2,09	2,16	2,41	2,59	3,08
Element water content [gal]	0,07	0,07	0,08	0,08	0,10	0,10	0,12	0,12	0,15
Element surface [S ² ft ²]	0,80	0,85	0,96	1,00	1,26	1,30	1,45	1,56	1,86
Exp. n	1,2990	1,3396	1,3047	1,3373	1,3161	1,3520	1,3304	1,3209	1,3258
Pipe centres l [in] (V3-V4 only)	18,5	19,7	22,4	23,6	30,3	31,5	35,4	38,2	46,1

For output at different ΔT , please refer to the following formula: $\text{desired output} = \text{output at } \Delta T 50 \times (\text{desired } \Delta T / 50)^n$

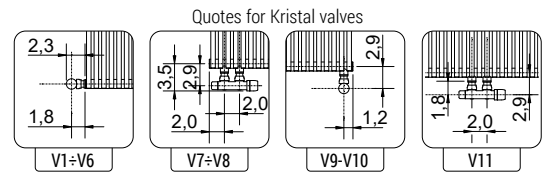
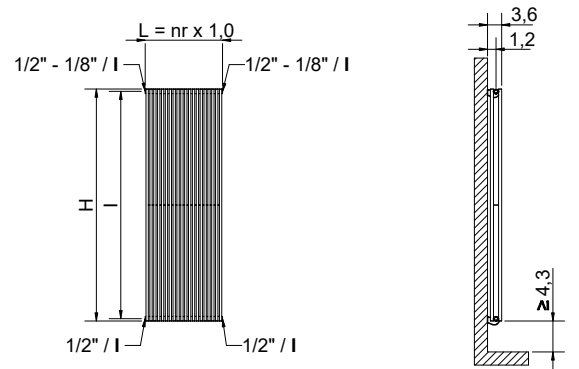
Height H [in]	55,1	63,0	66,9	70,9	74,8	78,7	86,6	90,6	98,4
Therm. output per el. $\Delta T = 50^\circ C$ [Btu]	265,1	294,5	308,8	322,4	335,8	349,1	374,0	386,3	409,5
Therm. output per el. $\Delta T = 30^\circ C$ [Btu]	134,4	148,8	155,9	162,8	169,2	176,1	188,7	194,8	206,8
Dry Weight per section [lbs]	3,57	4,07	4,31	4,56	4,81	5,06	5,55	5,80	6,29
Element water content [gal]	0,17	0,19	0,21	0,22	0,23	0,24	0,27	0,28	0,30
Element surface [S ² ft ²]	0,05	0,06	0,06	0,07	0,07	0,08	0,08	0,09	0,09
Exp. n	1,3307	1,3355	1,3380	1,3404	1,3399	1,3395	1,3385	1,3380	1,3371
Pipe centres l [in] (V3-V4 only)	53,9	61,8	65,7	69,7	73,6	77,6	85,4	89,4	97,2

P. max: 8 bar

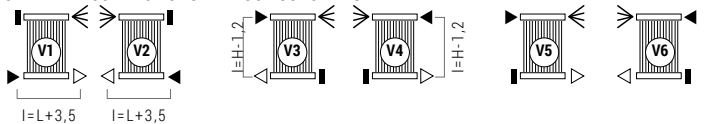
T. max: 230° F

Functioning: hot water

Connections: n° 2 x 1/2" G - n° 1 da 1/8" G



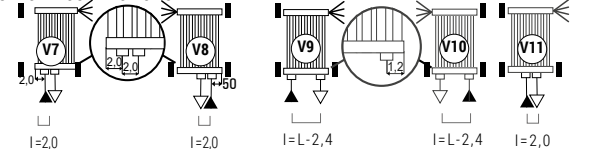
STANDARD CONNECTIONS WITHOUT SURCHARGE



LEGENDA:

- ▶ In
- ▷ Out
- ◀ airvent
- H Height
- l pipe centres
- L width

SPECIAL CONNECTIONS




- connection
- welded cap

Always specify the kind of connection needed when ordering.
Bidirectional pipe connection not available.

ACCESSORIES

If ordered separately from the radiator, the accessories are available in standard white only

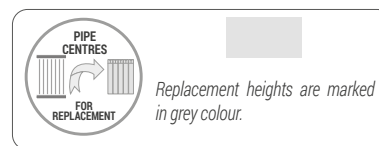
 <p>Kristal valve square with thermostatic option white R01</p> <p>Copper conn. \varnothing 12/14/15 Art. nr. 5991990311161</p> <p>Multilayer conn. \varnothing 16 Art. nr. 5991990311160</p>	 <p>Kristal valve square pipe centres 2,0 inch right white R01</p> <p>Copper conn. \varnothing 12/14/15 Art. nr. 5991990311186</p> <p>Multilayer conn. \varnothing 16 Art. nr. 5991990311185</p>	 <p>Thermostatic head white</p> <p>(Kit 2 pieces)</p> <p>Art. nr. 5035270710016</p>
---	--	---

Art. nr. are referred to colour WHITE R01

KARIN VX TANDEM VERTICAL

Height H [in]		19,7	20,9	23,6	24,8	31,5	32,7	36,6	39,4	47,2
Width L [in]	N° El.	Btu $\Delta t=122^{\circ}\text{F}$	Btu $\Delta t=122^{\circ}\text{F}$	Btu $\Delta t=122^{\circ}\text{F}$	Btu $\Delta t=122^{\circ}\text{F}$	Btu $\Delta t=122^{\circ}\text{F}$	Btu $\Delta t=122^{\circ}\text{F}$	Btu $\Delta t=122^{\circ}\text{F}$	Btu $\Delta t=122^{\circ}\text{F}$	Btu $\Delta t=122^{\circ}\text{F}$
7,9	8	894	938	1044	1092	1338	1382	1518	1614	1877
9,8	10	1116	1174	1307	1365	1672	1727	1901	2017	2344
11,8	12	1338	1409	1570	1634	2006	2071	2279	2419	2812
13,8	14	1563	1641	1829	1907	2341	2416	2658	2822	3282
15,7	16	1785	1877	2092	2180	2675	2760	3037	3228	3750
17,7	18	2010	2112	2351	2453	3010	3105	3419	3631	4221
19,7	20	2232	2348	2614	2726	3344	3453	3798	4033	4688
21,7	22	2453	2583	2876	2999	3678	3798	4176	4436	5156
23,6	24	2679	2815	3136	3272	4013	4142	4559	4838	5627
25,6	26	2900	3050	3398	3545	4347	4487	4937	5244	6094
27,6	28	3126	3286	3658	3818	4681	4832	5316	5647	6565
29,5	30	3347	3521	3921	4091	5016	5176	5698	6050	7032
31,5	32	3569	3753	4183	4364	5350	5521	6077	6452	7500
33,5	34	3794	3989	4443	4637	5685	5869	6456	6855	7971
35,4	36	4016	4224	4705	4907	6019	6214	6838	7261	8438
37,4	38	4241	4460	4965	5180	6353	6558	7217	7664	8909
39,4	40	4463	4695	5227	5453	6688	6903	7595	8066	9377
41,3	42	4685	4927	5490	5726	7022	7247	7974	8469	9844
43,3	44	4910	5163	5749	5999	7357	7592	8356	8872	10315
45,3	46	5132	5398	6012	6272	7691	7937	8735	9278	10782
47,2	48	5357	5633	6272	6544	8025	8285	9114	9680	11253
49,2	50	5579	5865	6534	6817	8360	8629	9496	10083	11721
51,2	52	5801	6101	6797	7090	8694	8974	9875	10486	12188
53,1	54	6026	6336	7056	7363	9029	9319	10253	10888	
55,1	56	6248	6572	7319	7636	9363	9663	10636	11294	
57,1	58	6473	6807	7578	7906	9697	10008	11014	11697	
59,1	60	6695	7039	7841	8179	10032	10356	11393	12099	
61,0	62	6916	7275	8104	8452	10366	10700	11775	12502	
63,0	64	7142	7510	8363	8725	10700	11045	12154	12905	
65,0	66	7363	7746	8626	8998	11035	11390	12533	13311	
66,9	68	7589	7978	8885	9271	11369	11734	12912	13713	
68,9	70	7810	8213	9148	9544	11704	12079	13294	14116	
70,9	72	8032	8448	9411	9817	12038	12424	13672	14519	

All intermediate sizes are available for widths from 8 to 72 elements and heights from 19,7 to 98,4 inch



Height H [in]		55,1	63,0	66,9	70,9	74,8	78,7	86,6	90,6	98,4
Width L [in]	N° El.	Btu $\Delta t=122^{\circ}\text{F}$	Btu $\Delta t=122^{\circ}\text{F}$	Btu $\Delta t=122^{\circ}\text{F}$	Btu $\Delta t=122^{\circ}\text{F}$	Btu $\Delta t=122^{\circ}\text{F}$	Btu $\Delta t=122^{\circ}\text{F}$	Btu $\Delta t=122^{\circ}\text{F}$	Btu $\Delta t=122^{\circ}\text{F}$	Btu $\Delta t=122^{\circ}\text{F}$
7,9	8	2122	2354	2470	2580	2685	2791	2992	3091	3276
9,8	10	2651	2945	3088	3224	3358	3491	3740	3863	4095
11,8	12	3180	3535	3706	3869	4030	4190	4487	4634	4913
13,8	14	3712	4122	4323	4514	4702	4886	5234	5408	5732
15,7	16	4241	4712	4941	5159	5371	5586	5985	6179	6551
17,7	18	4774	5299	5558	5804	6043	6282	6732	6954	7370
19,7	20	5302	5889	6176	6449	6715	6981	7479	7725	8189
21,7	22	5831	6480	6794	7094	7387	7681	8227	8496	9008
23,6	24	6364	7067	7411	7739	8059	8377	8974	9271	9827
25,6	26	6893	7657	8029	8384	8728	9076	9725	10042	
27,6	28	7425	8244	8646	9029	9400	9772	10564		
29,5	30	7954	8834	9264	9673	10073	10472			
31,5	32	8483	9424	9882	10318	10745				
33,5	34	9015	10011	10499	10963					
35,4	36	9544	10602	11117						
37,4	38	10076	11188							
39,4	40	10605								
41,3	42	11134								
43,3	44	11666								

ARDESIA®

TOWEL RAILS

ELECTRIC

STAINLESS STEEL

RADIATORS

VENTILATION RADIATORS

MY WAY® ACCESSORIES AND TECHNICAL SUPPORT