



GLORIA 22

WIDE

EUROPEAN
WARRANTY

MATERIAL:

- Vertical collectors in painted mild steel \varnothing 1,2 inch.
- Horizontal heating elements in painted mild steel \varnothing 0,9 inch.

FIXING KIT:

Brackets, airvent, hexagonal tool, plugs and screws for mounting suitable for use on compact or hollow brick, user notice.
The fixing kit is compliant with VDI 6036 norm, class 4.

PACKAGING:

Carton angular and profiles protected by a recyclable film in polyethylene. User notice included.

PAINTING PROCESS:

Painted with ecological epoxy powders (Certificate DIN 55900-1,-2).

COLOURS:

See colour chart.

ACCESSORIES:

For the complete list, please refer to the accessories chapter.

AVAILABLE FUNCTIONS:

- Hot water
- Dual energy

P. max: 8 bar

Functioning: hot water

T. max: 230° F

Connections: n° 2 x 1/2" G - 1 x 1/2" G

CERTIFICATES



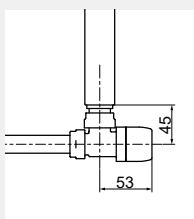
ACCESSORIES



Kristal valve square with thermostatic option white R01

Copper conn. \varnothing 12/14/15
Art. nr. 5991990311161

Multilayer conn. \varnothing 16
Art. nr. 5991990311160



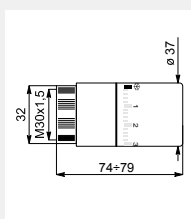
Quotes for square Kristal valves with thermostatic option



Thermostatic head white

(Kit 2 pieces)

Art. nr. 5035270710016



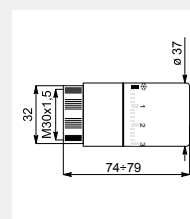
Thermostatic head quotes



Thermostatic head chromed

(Kit 2 pieces)

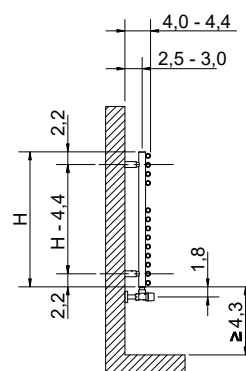
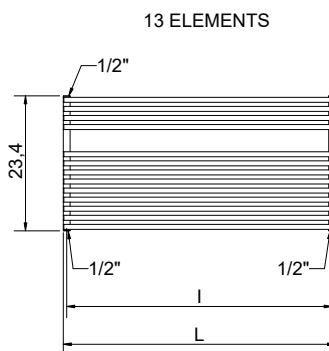
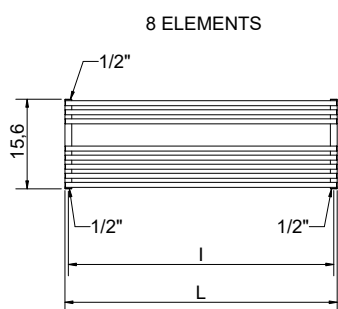
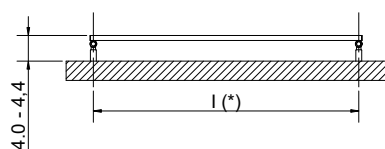
Art. nr. 5035270710015



Thermostatic head quotes

If ordered separately from the radiator, the accessories are available in standard white only

Art. nr. are referred to colour WHITE R01



(*) The fixing kit has the same pipe centre (l) as the radiator

Quotes for Kristal valves

GLORIA 22 WIDE

Height [in]	Width L [in]	Pipe centres l [in]	Art. nr.	Dry Weight [lbs]	Surface [Sq ft ²]	Water content [gal]	Thermal output [Btu]		Exp. n	Dual energy kit
							$\Delta t=122^{\circ}\text{F}$	$\Delta t=86^{\circ}\text{F}$		[Btu]
15,6	47,2	46,1	3551666100001	14,77	7,86	0,92	1665	914	1,1717	1365
	55,1	53,9	3551666100003	16,98	9,15	1,00	1928	1051	1,1860	1365
23,4	47,2	46,1	3551666100002	23,81	20,45	1,40	2689	1450	1,2070	2388
	55,1	53,9	3551666100004	27,34	14,75	1,64	3108	1689	1,1954	2388

Art. nr. are referred to colour WHITE R01

For output at different ΔT , please refer to the following formula: desired output = output at $\Delta T 50 \times (\text{desired } \Delta t/50)^n$